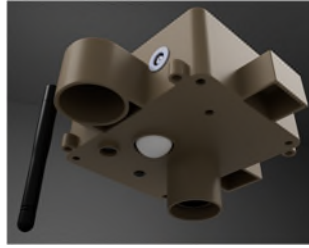


INSTRUCTIONS

www.hogfader.com



If you have a buddy who might be interested in this system, or you want to purchase additional units, please use coupon code 'buddy10' to get 10% OFF !

Hogfader ILLUMINATOR & PLATINUM hog hunting feeder lights

Your Hogfader light was created to allow hunters to hunt hogs at night at ANY location where the hogs may not be used to light(s) at night. It is intended to be mounted or hung from a barrel or box feeder, 1 1/4" PVC post or tree. The unit has a socket built into it that allows the unit to be mounted onto a 1" dia PVC spool piece (reducer included). The unit also has (4) magnets on the lid that allow you to mount the light to the bottom of a feeder barrel or spinner housing. (4) eyelets are molded in so it can be zip tied/bungeed in place if needed. The light is meant to shine 'down' over the baited area from above. It was designed to illuminate hogs whenever they are present in a baited area. The "NO SPOOK" fading technology is intended to reduce the chance that the hog(s) will be 'SPOOKED' by a sudden or 'new' light in any particular area.

Description:

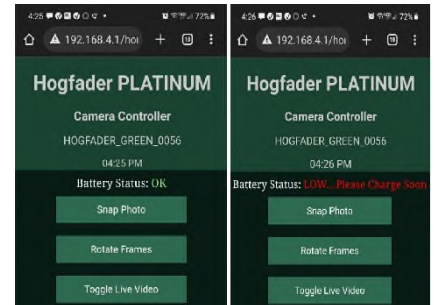
Our lights are housed in an injection molded enclosure that is rain proof and UV resistant. The LED light comes in RED, GREEN or INFRARED. The light has the following functions and specifications:

For ILLUMINATOR & PLATINUM:

- Powered by a standard 12v feeder battery (not included). Use the included lead to connect to power jack on unit
- Light sensor turns power on at dusk and off at dawn (there is no ON/OFF switch)
- Light stays very dim (after dark, when no motion is sensed)
- Motion sensor will trigger the light fading sequence (dim/bright/dim) when hogs are moving nearby
- Sequence: Light fades up for 90 secs, stays bright for a min of 120 secs, then fades back down for 45 seconds to dim
- 'Bright' duration is extended if motion is sensed while light is bright (adds 30 secs)
- A solar panel can be used to recharge your battery if keeping the unit in place for long periods of time (optional w/ mounting kit)
- You should verify that your battery is fully charged (over 12v) before connecting to the unit for a night's hunt.

Additional info PLATINUM only: **(there is no need for internet service or cell service with this unit)**

- A wifi camera is installed along with a 2.4 ghz antennae to transmit video (200+ yds line of sight)
- The unit does not require cellular service nor an internet connection
- Your phone or tablet connects directly to the Hogfader unit's network ID i.e. **HOGFADER_color_xxxxx**
- The network PASSWORD is **12345678**
- The 'xxxxx' is your unit's unique number (noted on box)
- PLATINUM units in the same area will not interfere with each other due to unique ID numbers.
- Once connected to your unit's network, open the browser on your smart device and go to **192.168.4.1/home**
- You should see the PLATINUM controller screen appear as shown at right...
- A battery status monitor has been added to the app and will show status as "OK" or "LOW....please charge soon".



Note: It is very important to make sure that the antennae on the unit is oriented toward your location. This will provide the best signal. It may take a few minutes for the signal to show up on your 'network list' so be patient. The 'Snap Photo' button will display a captured image from the camera on the screen and will save a copy of that image in .jpg format to the SD card inside the unit (the lid must be removed from the unit to retrieve the SD card). The 'Toggle Live Stream' button will display a live stream video of the action under the unit. When you press the 'Record Video' button, it will record video and you will have the option to 'Save Video' to your phone or smart device.

IMPORTANT REMINDER:

Please remember that the 'NO SPOOK' advantage of this light system is most effective when the light is oriented in a straight down position. Hogs will not look 'UP'. If you decide to mount your light pointing out and 'AT' where the hogs will be, it will take away from the 'NO SPOOK' design approach. This has been tested thoroughly. However, they will eventually get used to the light being there over time if you intend to leave it in place. I invented this system to allow hunters to put the light up at any location and hunt that same night, successfully, at any distance, while using your favorite day hunting scope. HAPPY HUNTING !!

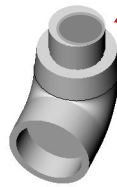
Contact us for any questions about the operation or any issues you may have with your unit and I promise that we will take care of you:

jaustin@hogfader.com

I welcome all suggestions for improvements to my product. – John Austin

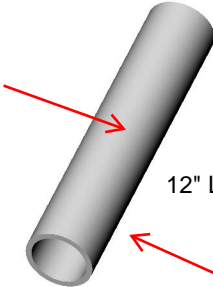
THE FLEXIBILITY OF THE HOGFADER SYSTEM
ALLOWS YOU TO ADJUST THE HORIZONTAL AND
VERTICAL ROTATION OF ALL PARTS, SO YOU CAN
PUT THE LIGHT AND SLOAR PANEL EXACTLY
WHERE YOU WANT IT AND EASILY MODIFY IT AS NEEDED

YOUR LIGHT MOUNTS HERE
(INTENDED TO SHINE STRAIGHT DOWN)



1 1/4" TO 1" ELBOW

SOLAR PANEL LOCATION



12" LG PC 1 1/4" DIA PVC PIPE

1 1/4" 90 DEG ELBOW



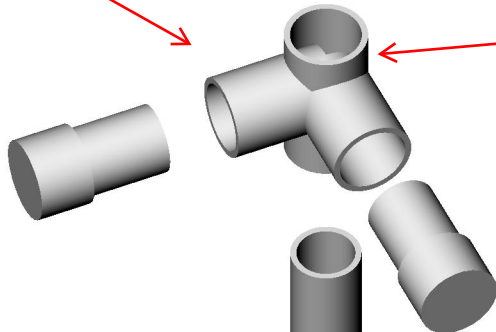
YOUR SOLAR PANEL SHOULD BE MOUNTED
TO THE EXTENSION PIECE USING THE HARDWARE
PROVIDED WITH THE PANEL. IF PVC IS NOT GLUED,
YOU WILL HAVE FULL FLEXIBILITY FOR ADJUSTMENT
OF THE LIGHT AND SOLAR PANEL'S ANGLE AND
ORIENTATION.

12" LG PC 1 1/4" DIA PVC PIPE



THE KIT COMES WITH (3) 12" LG STRAIGHT
PIECES. IF YOU DESIRE LONGER LENGTHS,
YOU WILL NEED TO PURCHASE A PIECE OF
1 1/4" DIA PVC PIPE, AVAILABLE AT ANY BIG
BOX STORE, AND CUT IT TO LENGTH TO MEET
YOUR NEEDS. I WOULD LIMIT THE EXTENSION
PIECE TO 3' MAX.

UPPER FOOT ASSEMBLY



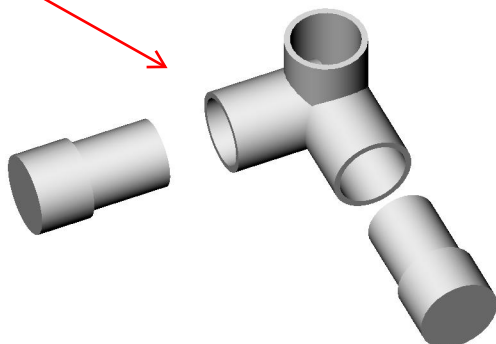
IT IS MY RECOMMENDATION THAT THE RATCHET
STRAP BE LOCATED JUST ABOVE OR BELOW
THE UPPER "FOOT ASSEMBLY"

THE FITTINGS CAN BE PRESS FIT
OR GLUED WITH PVC CEMENT. THAT
IS LEFT UP TO YOU

12" LG PC 1 1/4" DIA PVC PIPE



LOWER FOOT ASSEMBLY



MOUNTING KIT EXPLODED VIEW